

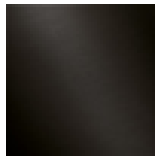


Kitchen - CL.1

Soap dispenser with flange - Dark Platinum matte

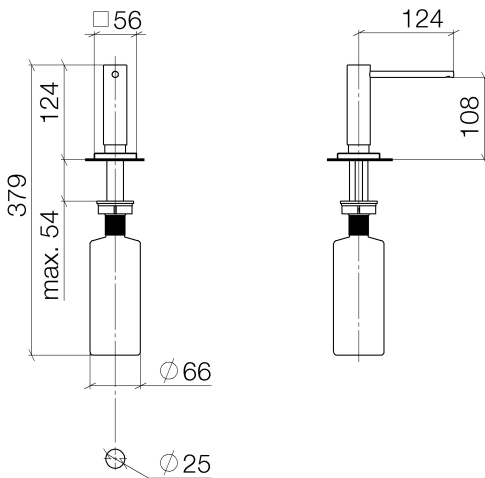
Article number: 82 439 970-99

- 4-1/4" Projection
- 16.91 oz bottle capacity
- Refillable above countertop
- 360° swivel
- Height 4-7/8"
- 1" hole diameter
- Individual flanges 2-1/8" x 2-1/8"



Dark Platinum matte

Dimensional drawing



All dimensions in mm / inch = mm x 0,0394



Kitchen - CL.1

Soap dispenser with flange - Dark Platinum matte

Article number: 82 439 970-99



Kitchen - CL.1
Soap dispenser with flange - Dark Platinum matte
Article number: 82 439 970-99

Other surface finishes



polished chrome
82 439 970-00



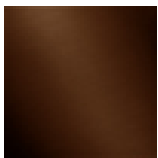
platinum matte
82 439 970-06



platinum
82 439 970-08



Dark Brass matte
82 439 970-16



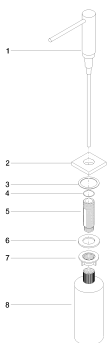
Dark Bronze matte
82 439 970-17



Cyprum
82 439 970-49

More custom finish options are available via special production (xTra Service). Please see our finish matrix for availability and pricing or contact a Dornbracht representative.

Spare parts list



Number	Item Number	Designation	Number of units
--------	-------------	-------------	-----------------